



PETONEER

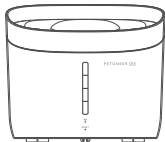
www.petoneer.com

Fresco Smart Fountain Ultra User Manual

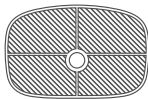
Model: FSW020

(Please read this manual carefully before using.
Keep the manual in a safe place for future reference.)

Inside the box



Fountain



Filter



5V 2A Power
Supply



Micro USB
Cable 4 Feet
(1.2M)

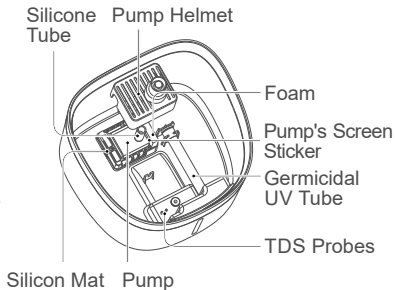
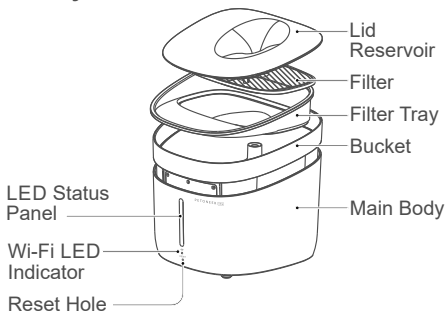


Replacement
Foam



Replacement
Pump Filter
Sticker

Meet your Fresco Ultra

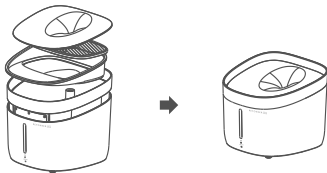


How sterilization works: The UVC ultraviolet light emitted by the tube at the bottom of the fountain can destroy the DNA structure of microorganisms such as bacteria, causing the bacteria to die. It works for 3 minutes every interval. The lighting lasts for 3 minutes every interval killing up to 99.7% bacteria.

Operations

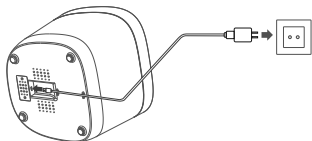
1. Assemble

Please put all parts in the right places according to the illustration;



2. Power on

Connect the Micro USB cable to the power input port at the bottom, then connect A/C adapter to the wall outlet.



3. Fill up

Pour water into the bucket. Do not exceed the max water level.

5. Accessories replacing

It is recommended to replace the filter, foam and pump's screen sticker regularly.

4. Clean up

Lift the bucket and clean the inside of the bucket.

6. Connect the fountain

Download the Petoneer App and connect the fountain to your Wi-Fi to monitor and control.

Quick Setup

1. Scan the QR code on the right and download the Petoneer App which is available on App Store and Google Play. Click Sign up to get walked through to create your Petoneer account.



2. Power on and ensure the Wi-Fi Indicator LED is blinking fast reflecting the device is ready for joining the Wi-Fi.

Open the Petoneer App and click the '+' button and get walked through the SET-UP steps.

Notice:

- (1) The fountain doesn't support the 5GHz Wi-Fi, please make sure your Wi-Fi is 2.4G.
- (2) If the Wi-Fi indicator is not blinking fast after power-on, please long press and hold the manual feed button until the indicator blinks quickly.

LED Status

LED	Status
Blue	Water Level
Red	Filter Change Alert

Specification

Model: FSW020

Weight: 43.03 oz(1220 g)

Power Input: DC 5V 2A

Communication: Wi-Fi

Sterilization Rate: 99.7%

Size: 8.19*7.80*7.13 Inches

(208x198x181mm)

Capacity: 2L

Range: 98.5 feet (30m)

UVC Tube Life: 15000 Hours

Precautions

1. Please use it in the indoor environment;
2. When cleaning the bucket, do not directly wash the bottom of the bucket or soak it in the water; when cleaning the whole machine, DO DISCONNECT the power supply;
3. Children must use the unit under the guidance of an adult;
4. Please place the unit on the flat ground to prevent accidental overturning, causing the fountain to sprinkle or not work correctly.
5. Please shield or organize the power cord well to prevent the pet from biting the cable and causing dangerous situations such as electric shock;
6. This feeder is suitable for cats or small and medium-size dogs;
7. TDS(Total dissolved solids): The content of dissolved solids in water. The lower the TDS value, the higher the purity of the water. TDS is used as an indicator to determine the general quality of the water. The water quality criteria and standards vary a lot depending on different countries and regions. Please refer to the local standards.
8. As UVC ultraviolet light can't penetrate plastic or clothing, and the visible light source that is exposed by UV tube does not inflict harm.
9. After long time usage, the yellowing insider the fountain is normal!

FCC NOTE:

This device complies with part 15 of the FCC Rules. Operation is subject to the following two conditions: (1) This device may not cause harmful interference, and (2) this device must accept any interference received, including interference that may cause undesired operation.

Note: The Grantee is not responsible for any changes or modifications not expressly approved by the party responsible for compliance. Such modifications could void the user's authority to operate the equipment.

Note: This equipment has been tested and found to comply with the limits for a Class B digital device, pursuant to part 15 of the FCC Rules. These limits are designed to provide reasonable protection against harmful interference in a residential installation. This equipment generates, uses and can radiate radio frequency energy and, if not installed and used in accordance with the instructions, may cause harmful interference to radio communications.

However, there is no guarantee that interference will not occur in a particular installation. If this equipment does cause harmful interference to radio or television reception, which can be determined by turning the equipment off and on, the user is encouraged to try to correct the interference by one or more of the following measures:

- Reorient or relocate the receiving antenna.
- Increase the separation between the equipment and receiver.
- Connect the equipment into an outlet on a circuit different from that to which the receiver is connected.
- Consult the dealer or an experienced radio/TV technician for help.

Environmental Conditions

Operating Temperature: 14 °F to 131 °F, (-10 °C to 55 °C) (indoor only)

SkyRC Technology Co., Ltd. declares that this Fresco(FSL010) / Fresco Pro(FSW010) / Fresco Ultra(FSW020), is in compliance with the essential requirements and other relevant provisions of the Radio Equipment Directive (2014/53/EU).

Environment friendly disposal

You can help protect the environment!

Please remember to respect your local regulations: dispose of nonfunctional electrical equipment with an appropriate waste disposal center.

Read all the instructions

When using electrical appliances, basic safety precautions should always be followed, including the following:

1. Do not touch hot surfaces. Use handles.
2. To protect against electric shock do not immerse cord, plug into water or other liquid.
3. Close supervision is necessary when any appliance is used by or near children.
4. Unplug from outlet when not in use and before cleaning. Allow cooling before putting on or taking off parts, and before cleaning the appliance.
5. Do not operate any appliance with a damaged cord or plug, should the appliance malfunction, or if it has been damaged in any manner. Return appliance to the nearest authorized service facility for examination, repair or adjustment.
6. The use of the accessory attachments is not recommended by the appliance manufacturer as it may cause injuries.

7. Do not use outdoors.
8. Do not let the cord hang over the edge of table or counter, or touch hot surfaces.
9. Do not place on or near a hot gas or electric burner, or in a heated oven.
10. Always attach the plug to appliance first, then plug the cord in the wall outlet.
11. Do not use the appliance for other than intended use.
12. WARNING: Never leave the appliance unattended whilst in use.
13. Warning: keep the supply cord away from the heating tip and metal enclosure while using.
14. This appliance is not intended for use by persons (including children) with reduced physical, sensory or mental capabilities, or lack of experience and knowledge unless they have been given supervision or instructions concerning the use of the appliance by a person responsible for their safety.
15. Children should be supervised to ensure that they do not play with the appliance.
16. If the SUPPLY CORD is damaged, it must be replaced by the manufacturer, its service agent or similarly qualified persons in order to avoid a hazard.
17. WARNING: This tool must be placed on its stand when not in use.

SAVE THESE INSTRUCTIONS.

For the purposes of supply by Adapter, only use the detachable supply unit provided with this appliance:

Manufacturer: SHENZHEN KEYU POWER SUPPLY TECHNOLOGY CO., LTD.

Model: KA1503-0502000UKU

Input: 100-240V, 50/60Hz,0.35A;

Output: 5VDC, 2A



Manufacturer: SkyRC Technology Co., Ltd.

4, 5, 8 Floor, Building 4, Meitai Science Park, Guangang Road, Guanlan,
Longhua District, Shenzhen, China.

Warranty Terms

Within the period of warranty, if the product fails with no fault of user operations, it will be repaired at Petoneer's expense. The warranty will not cover product failure in examples below:

- 1). Intentional damage to the product by the user or third party.
- 2). Failure to operate or maintain the product following the (QIG) Quick Installation Guide Instructions.
- 3). Failure by natural wear and tear including but not limited to scratching, corrosion, oxidation and rusting.
- 4). Failure by non-authorized repair of the product including but not limited to user's own or third-party repairing attempts or modifications.

* All Pictures shown in the manual are for illustration purpose only. Actual product may vary due to product enhancement.

FCC ID: 2AFNL-TYWE3S

